



LED 2D

Product information

GE's LED 2D lamp offers safe, reliable and affordable energy saving alternative to CFL 2D lamps used in bulkhead fixtures. GE's new LED 2D lamps can offer direct retrofit replacement for 16W 2Pin 2D lamps operated on Magnetic ballast, 28W 4Pin 2D lamps operated on Magnetic and Electronic ballast (separate designs).

This replacement can be completed simply without tools or costly upgrade and the robust middle part will ensure easy handle during installation. The upgraded fixture will deliver huge energy saving and reduced operating cost driven by the increased life and the classic 2D shape with great light distribution will ensure satisfaction for end-users.

Specification Features

Long life

- 40,000 hours rated life (L70)
- Lasts 2.5-3x longer than typical CFL 2D lamp

High efficiency

- Outstanding efficiency up to 128lm/w
- A+ energy efficiency rating
- Uses 60% less energy than 16W CFL 2D and 55% less energy than 28W CFL 2D

High Quality lighting effect

- High uniformity of light, create elegant lighting atmosphere for hospitality & commercial applications
- Advanced optics to deliver good light distribution
- Available with a CRI of 80
- High color consistency of <6 steps

Environmentally Conscious

- Energy efficient lamp that contain no lead or Mercury

Features

- Energy Saving up to 60% versus CFL 2D lamps
- High light output of 750-1550 lumens
- Available in 2700, 3500 and 4000K and also in 3000K for 6.5W
- Optimized beam angle: 120° x 130°
- 12.5W ECG design is compatible with main Electronic ballast types, but please visit below website for list of ballasts tested and approved for compatibility:
www.gelighting.com/LEDPlugIn-compatibility

Application areas



Office



Hospitality



IEC standards

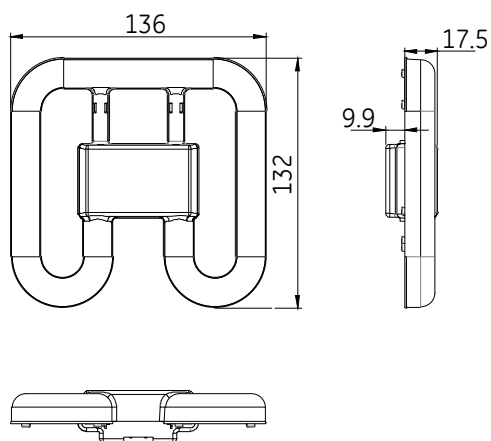
EN 55015	Limits and methods of measurement of radio disturbance characteristics of electrical lighting
EN 61000-3-2	Limits for harmonic current emissions (equipment rated current ≤16A)
EN 61000-3-3	Limitation of voltage fluctuations and flicker in low voltage supply systems (equipment rated current ≤16A)
EN 61547	Specification for equipment for general lighting purposes. EMC Immunity requirements
EN 62493:2015	Assessment of lighting equipment related to human exposure to electromagnetic fields
EN 61347-1:2008/A2:2013	Lamp controlgear – Part 1: General and safety requirements
EN 61347-2-13:2014	Lamp controlgear – Part 2-13: Particular requirements for DC or AC supplied electronic control gear for LED modules
EN 62471:2008	Photobiological safety of lamps and lamp systems
IEC TR 62471-2:2009	Photobiological safety of lamps and lamp systems – Part 2: Guidance on manufacturing requirements relating to non-laser optical radiation safety
IEC TR 62778	Application of IEC 62471 for the assessment of blue light hazard to light sources and luminaires
EN 61199:2011/A1:2013	Single-capped fluorescent lamps – Safety specifications
EN 62560:2012/A1:2015	Self-ballasted LED-lamps for general lighting services by voltage > 50 V – Safety specifications

Wattage (W)	Cap	CCT (K)	Product Description	Lumens (lm)	Rated Life L70 (h)	CRI (Ra)	Energy Efficiency Class	Ballast compatibility	Operating position	Pack Qty (pcs)	Product Code
6.5	GR8	2700	LED 2D2P 6.5W/CCG/827/GR8 GE BX1/10	750	40 000	80	A+	magnetic	universal	10	93039469
6.5	GR8	3000	LED 2D2P 6.5W/CCG/830/GR8 GE BX1/10	770	40 000	80	A+	magnetic	universal	10	93039470
6.5	GR8	3500	LED 2D2P 6.5W/CCG/835/GR8 GE BX1/10	800	40 000	80	A+	magnetic	universal	10	93039471
6.5	GR8	4000	LED 2D2P 6.5W/CCG/840/GR8 GE BX1/10	830	40 000	80	A+	magnetic	universal	10	93039475
12.5	GR10q	2700	LED 2D4P 12.5W/ECG/827/GR10q GE BX1/10	1400	40 000	80	A+	electronic	universal	10	93039478
12.5	GR10q	3500	LED 2D4P 12.5W/ECG/835/GR10q GE BX1/10	1500	40 000	80	A+	electronic	universal	10	93039477
12.5	GR10q	4000	LED 2D4P 12.5W/ECG/840/GR10q GE BX1/10	1550	40 000	80	A+	electronic	universal	10	93039476
12.5	GR10q	2700	LED 2D4P 12.5W/CCG/827/GR10q GE BX1/10	1400	40 000	80	A+	magnetic	universal	10	93039473
12.5	GR10q	3500	LED 2D4P 12.5W/CCG/835/GR10q GE BX1/10	1500	40 000	80	A+	magnetic	universal	10	93039472
12.5	GR10q	4000	LED 2D4P 12.5W/CCG/840/GR10q GE BX1/10	1550	40 000	80	A+	magnetic	universal	10	93039474

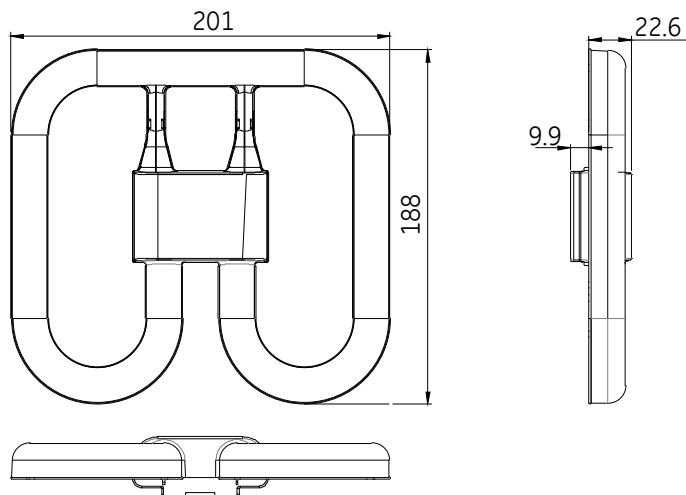
Electrical and Photometric Characteristics

Ambient temperature range	-20°C to +40°C
Number of switching cycles	50,000
Lumen maintenance at B50	70%
Beam angle	120° x 130°
Dimmable	No
Fixture rating	can be used in enclosed fixtures
Starting time	<0.5sec
Weight	95g for 6.5W / 140g for 12.5W ECG / 155g for 12.5W CCG
Flickering Index	<1%

Dimensions for 2D2P Plug-In [mm]



Dimensions for 2D4P Plug-In [mm]



Operation and maintenance

Store and use the lamps the same way as standard compact fluorescent lamps.

- Lamps should be kept free from contamination.
- Switch off mains supply before installing/removing lamp.
- Good condition of the lamp-holder contacts is important to ensure proper operation of lamp.
- Lamp can't be operated directly from Mains voltage.
- For 12.5W 2D4P CCG, CFL starter should be changed to dummy starter before installation.
- 12.5W 2D4P ECG lamp can be operated only with electronic ballasts that are approved for compatibility, list of approved ballasts can be found on www.gelighting.com/LEDPlugIn-compatibility
- Can be used in closed fixtures.
- Not for use in emergency lighting circuits.